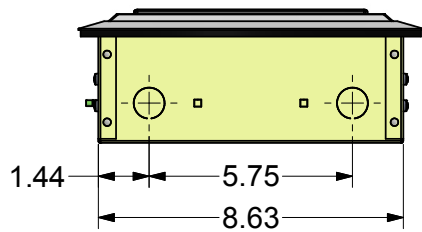
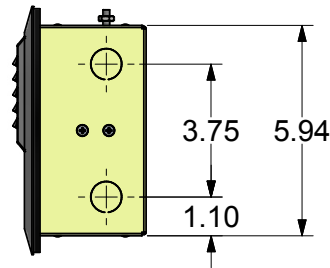
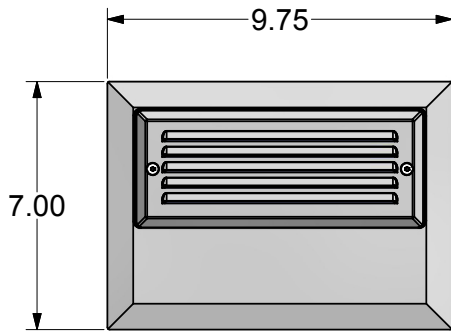


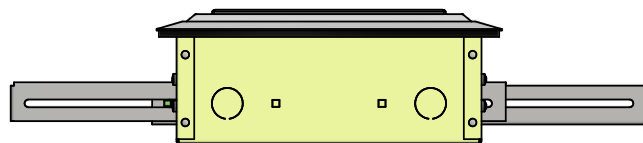
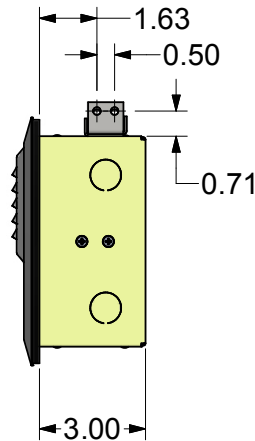
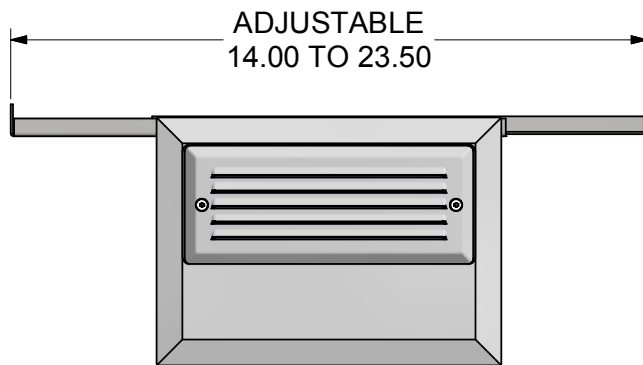
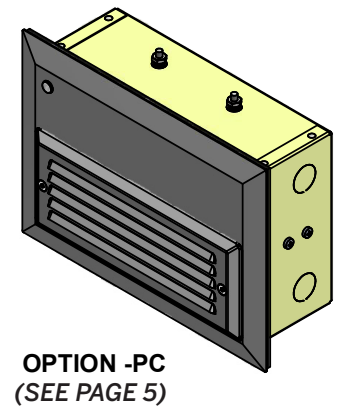
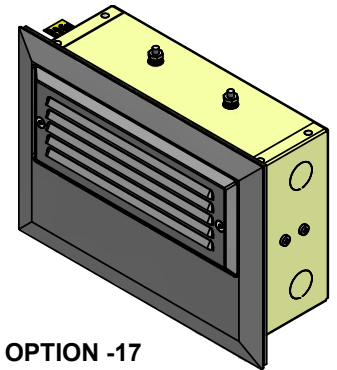
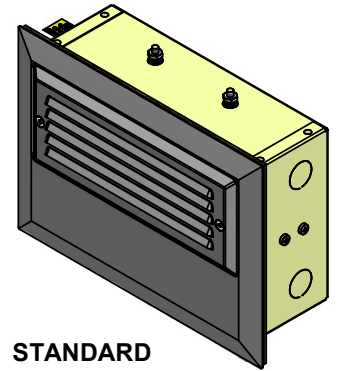
1. RECOMMENDED CUTOUT DIMENSION 7-3/4" X 2-3/4"
2. FIXTURE IS SUPPLIED WITH (2) ADJUSTABLE MOUNTING BRACKETS ATTACHED TO THE BACK OF THE HOUSING AS SHOWN.
3. FIXTURE IS SUPPLIED WITH (2) Ø.875 K.O.'S

NOTE: FIXTURE IS NOT SUITABLE FOR DIRECT POUR IN CONCRETE. A CAVITY MUST BE MADE IN THE CONCRETE TO ACCOMMODATE THE DIMENSIONS OF THE FIXTURE AS SHOWN ABOVE.

INSTALL IN ACCORDANCE WITH ALL APPLICABLE NATIONAL AND LOCAL ELECTRIC CODES  
INSTALL IN ACCORDANCE WITH ALL MARKINGS APPEARING ON OR INSIDE LUMINAIRES



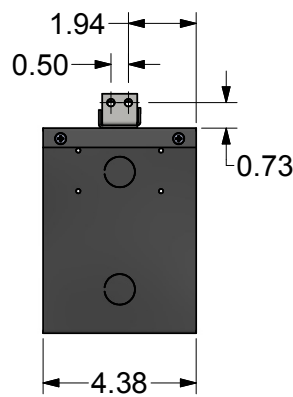
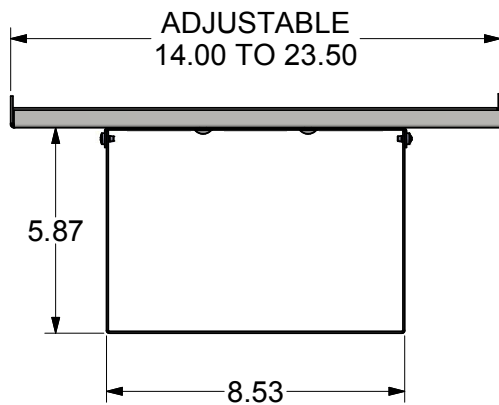
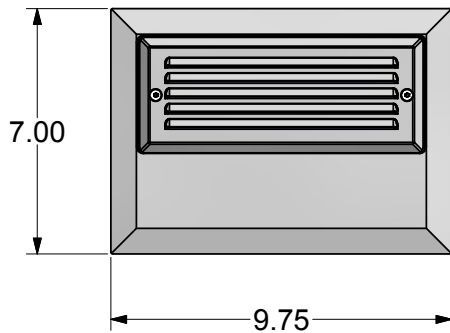
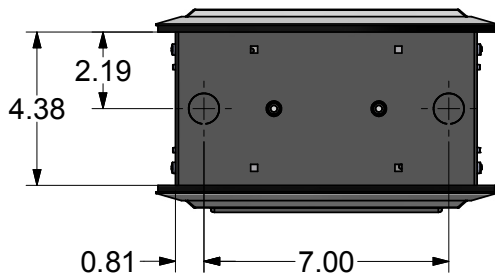
### TRIM ORIENTATION: SINGLE FACE NIGHTLIGHT



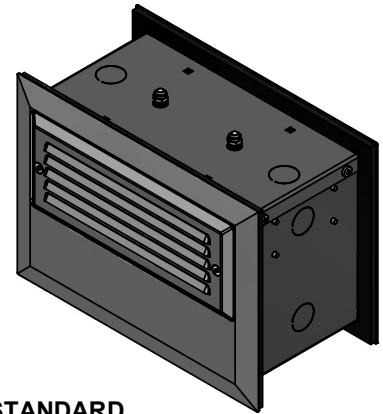
1. RECOMMENDED CUTOUT DIMENSION 8-3/4" X 6-1/8"
2. FIXTURE IS SUPPLIED WITH (2) ADJUSTABLE MOUNTING BRACKETS ATTACHED TO THE BACK OF THE HOUSING AS SHOWN.
3. FIXTURE IS SUPPLIED WITH (6)  $\varnothing$ .875 K.O.'S

NOTE: FIXTURE IS NOT SUITABLE FOR DIRECT POUR IN CONCRETE. A CAVITY MUST BE MADE IN THE CONCRETE TO ACCOMMODATE THE DIMENSIONS OF THE FIXTURE AS SHOWN ABOVE.

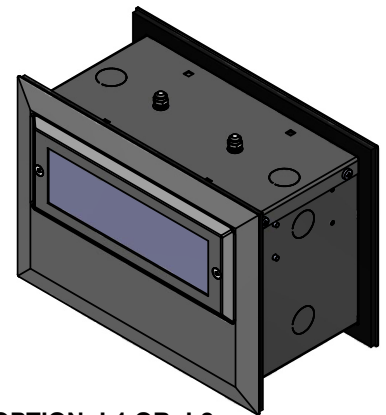
INSTALL IN ACCORDANCE WITH ALL APPLICABLE NATIONAL AND LOCAL ELECTRIC CODES  
INSTALL IN ACCORDANCE WITH ALL MARKINGS APPEARING ON OR INSIDE LUMINAIRES



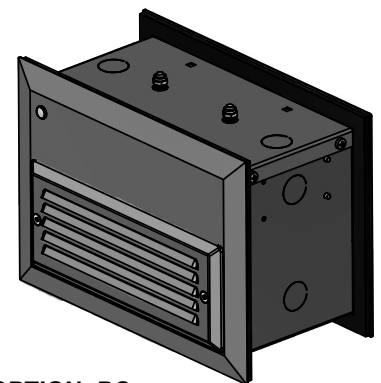
### TRIM ORIENTATION: DOUBLE FACE NIGHTLIGHT



### STANDARD



### OPTION -L1 OR -L2



### OPTION -PC (SEE PAGE 5)

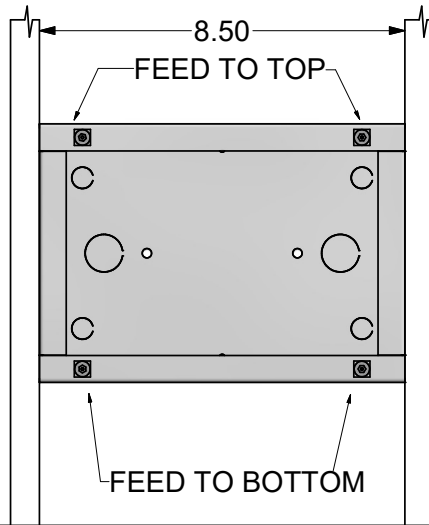
1. RECOMMENDED CUTOUT DIMENSION 8-3/4" X 6-1/8"
2. FIXTURE IS SUPPLIED WITH (2) ADJUSTABLE MOUNTING BRACKETS ATTACHED TO THE BACK OF THE HOUSING AS SHOWN.
3. FIXTURE IS SUPPLIED WITH (6)  $\varnothing$ .875 K.O.'S

NOTE: FIXTURE IS NOT SUITABLE FOR DIRECT POUR IN CONCRETE. A CAVITY MUST BE MADE IN THE CONCRETE TO ACCOMMODATE THE DIMENSIONS OF THE FIXTURE AS SHOWN ABOVE.

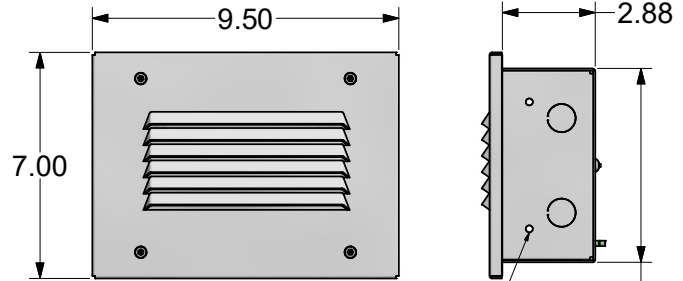
INSTALL IN ACCORDANCE WITH ALL APPLICABLE NATIONAL AND LOCAL ELECTRIC CODES  
INSTALL IN ACCORDANCE WITH ALL MARKINGS APPEARING ON OR INSIDE LUMINAIRES

### MAXIMUM SECURITY NIGHTLIGHT

MOUNTING DETAIL #1



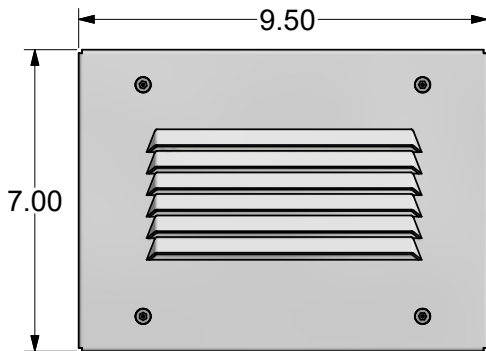
VERTICAL SUPPORTS  
(BY OTHERS)



USE THESE MOUNTING HOLES TO MOUNT AS SHOWN IN DETAIL #1

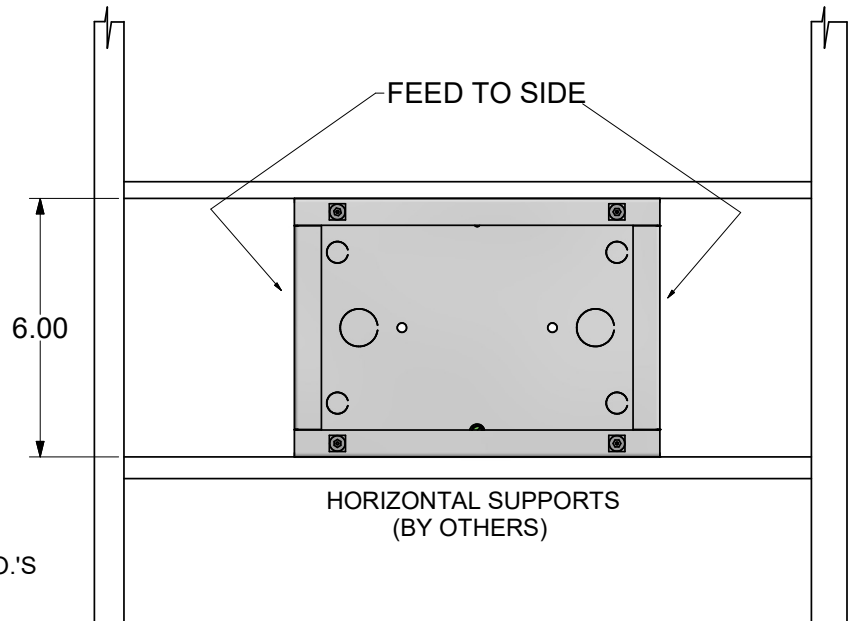
MOUNTING DETAIL #2

**IMPORTANT MOUNTING NOTE: FOR EITHER DETAIL FRONT EDGE OF NIGHTLIGHT HOUSING MUST BE FLUSH WITH FINISHED WALL SURFACE, OR SLIGHTLY RECESSED**



USE THESE MOUNTING HOLES TO MOUNT AS SHOWN IN DETAIL #2

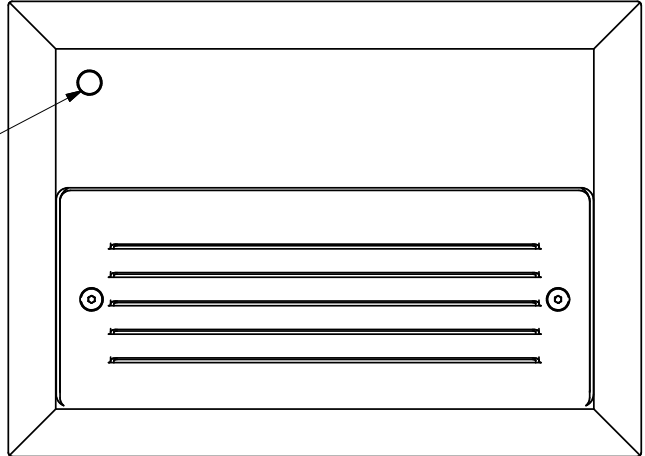
1. RECOMMENDED CUTOUT DIMENSION 6-1/8" X 8-5/8"
2. FIXTURE IS SUPPLIED WITH (8)  $\phi$ .875 K.O.'S



INSTALL IN ACCORDANCE WITH ALL APPLICABLE NATIONAL AND LOCAL ELECTRIC CODES  
INSTALL IN ACCORDANCE WITH ALL MARKINGS APPEARING ON OR INSIDE LUMINAIRES

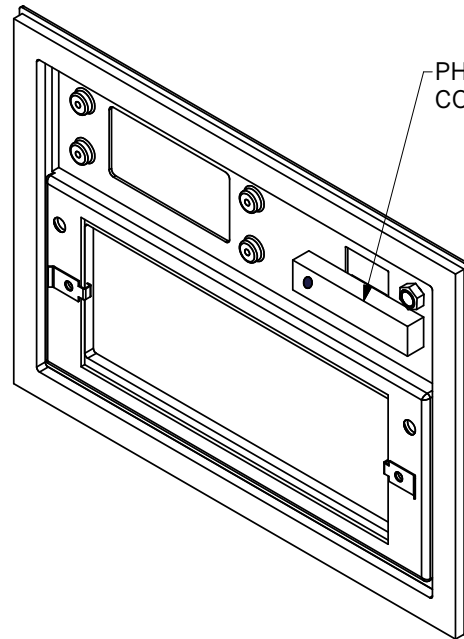
ALL ADJUSTMENTS MUST BE MADE WITH THE PHOTOCELL UNCOVERED  
AND EXPOSED TO AMBIENT ROOM LIGHTING CONDITIONS.

LIGHT SENSOR

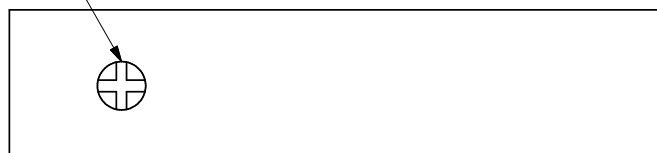


1. REMOVE FACEPLATE FROM BACK BOX ASSEMBLY.
2. ENERGIZE THE CIRCUIT.
3. ADJUST THE POTENTIOMETER FULLY CLOCKWISE. THE LIGHT SHOULD BE OFF.
4. TURN THE POTENTIOMETER DIAL COUNTER CLOCKWISE UNTIL THE LIGHT TURNS ON.
5. SLOWLY TURN THE POTENTIOMETER CLOCKWISE UNTIL THE LIGHT TURNS OFF.
6. WHEN YOU PLACE YOUR HAND OVER THE LIGHT SENSOR THE LIGHT SHOULD TURN ON. WHEN YOU REMOVE YOUR HAND THE LIGHT SHOULD TURN OFF.

PHOTOCELL CONTROL



ADJUSTMENT POTENTIOMETER



INSTALL IN ACCORDANCE WITH ALL APPLICABLE NATIONAL AND LOCAL ELECTRIC CODES  
INSTALL IN ACCORDANCE WITH ALL MARKINGS APPEARING ON OR INSIDE LUMINAIRES